


Ø16x6" gap reinforcement for safe

Ø16x6" gap reinforcement for safe

 CENTRAL TOOL ROOM & TRG. CENTRE
BHUBANESWAR

UNION BANK AT CTTC

DRAWN - PRADEEP 

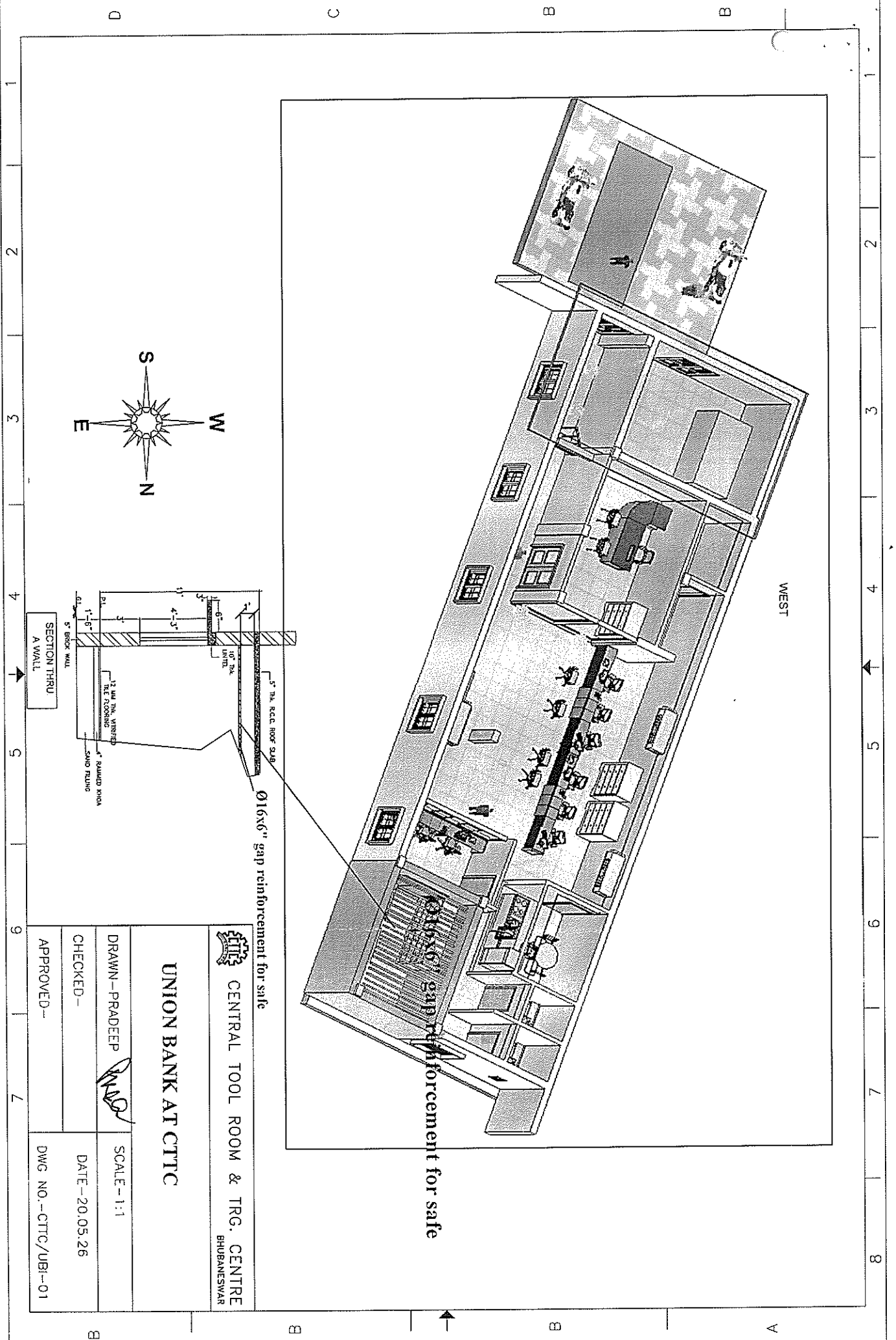
CHECKED -

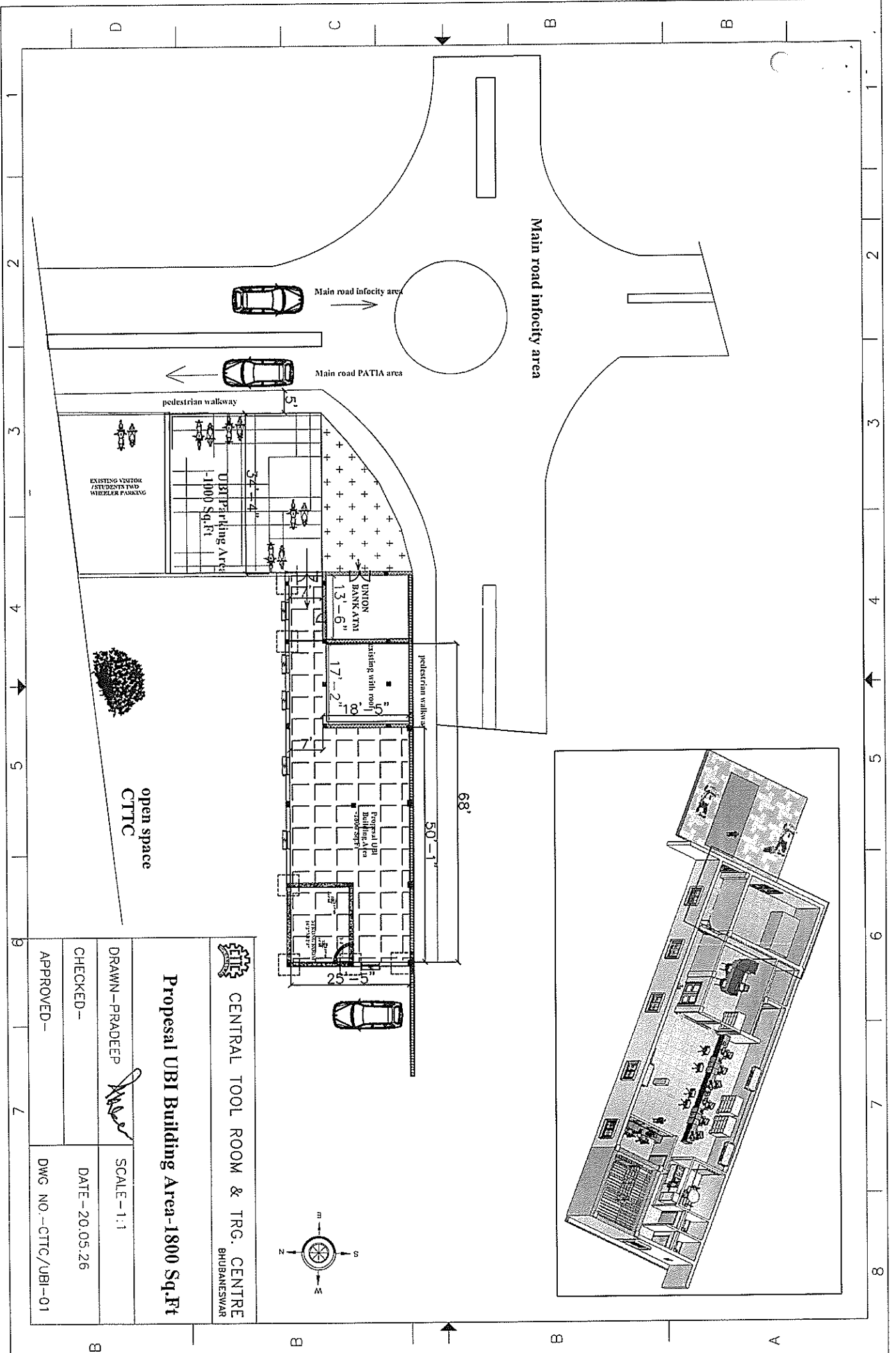
APPROVED -


SCALE - 1:1

DATE - 20.05.26

DWG. NO. - CTTC/UBI - 01



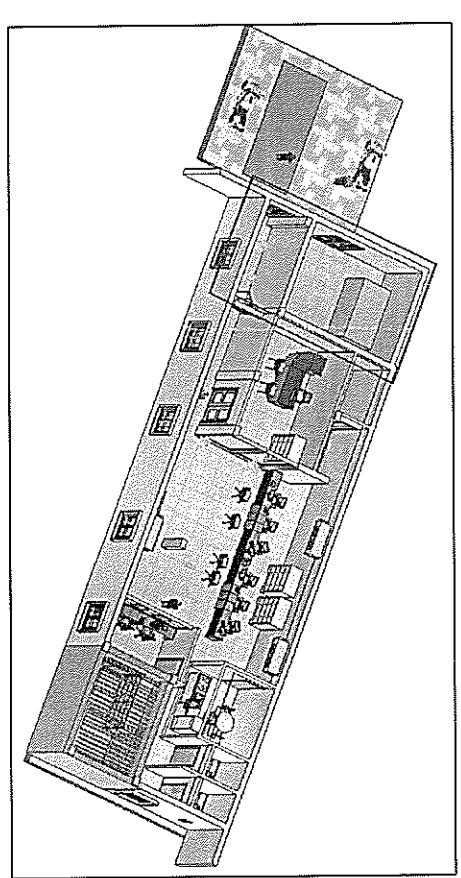


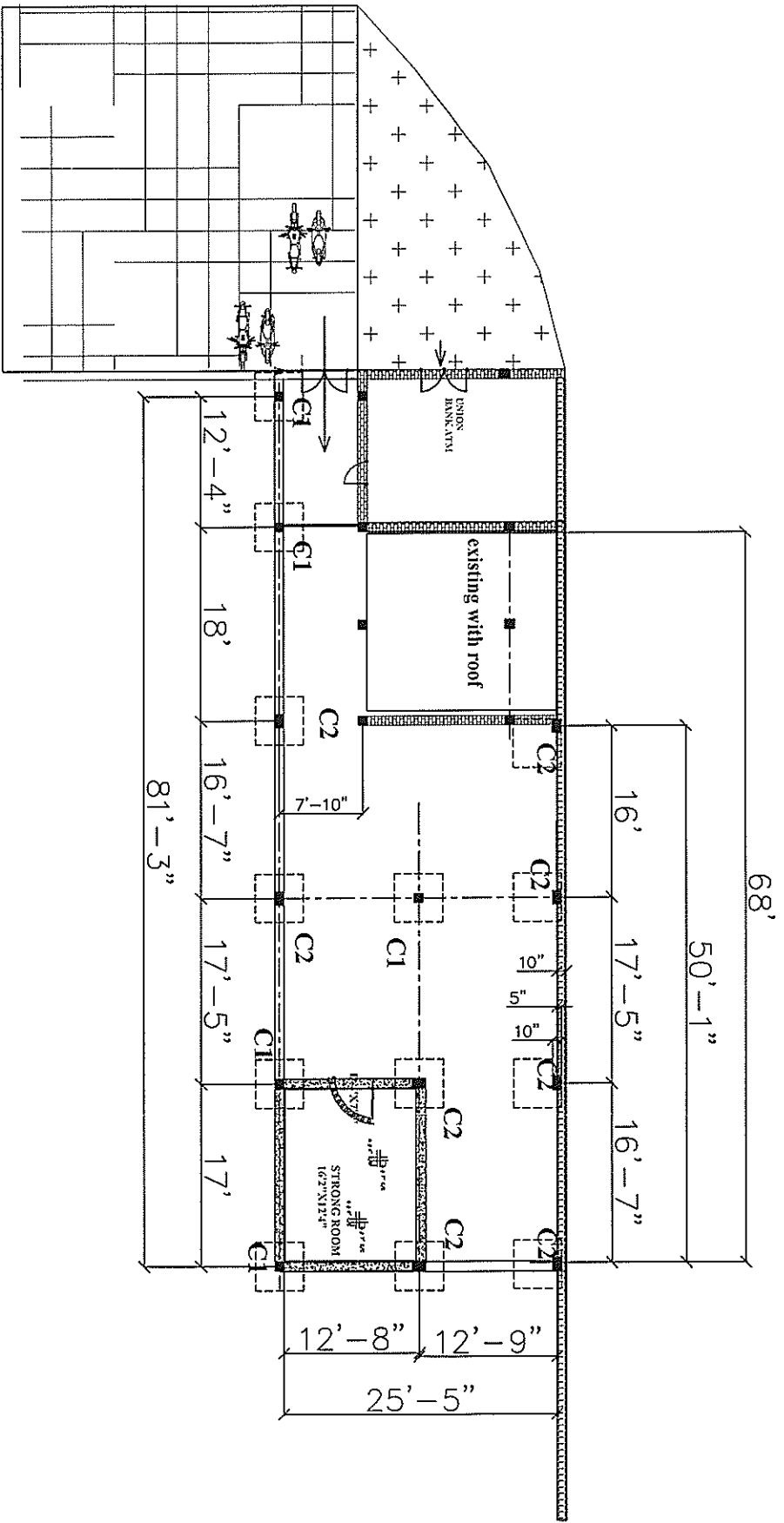

CENTRAL TOOL ROOM & TRG, CENTRE
 BHUBANESWAR

Proposal UBI Building Area-1800 Sq.Ft


DRAWN-**PRADEEP**
 CHECKED-
 APPROVED-

SCALE-1:1
 DATE-20.05.26
 DWG. NO.-CTTC/UBI-01





COLUMN SIZE
 C1 = 10" x 14"
 C2 = 10" x 10"

 CENTRAL TOOL ROOM & TRG. CENTRE
 BHUBANESWAR

COLUMN LAYOUT DRG-UBI

DRAWN - PRADEEP *[Signature]* SCALE - 1:1

CHECKED - DATE - 20.05.26

APPROVED - DWG NO. - CTCG/UBI-01

9 7

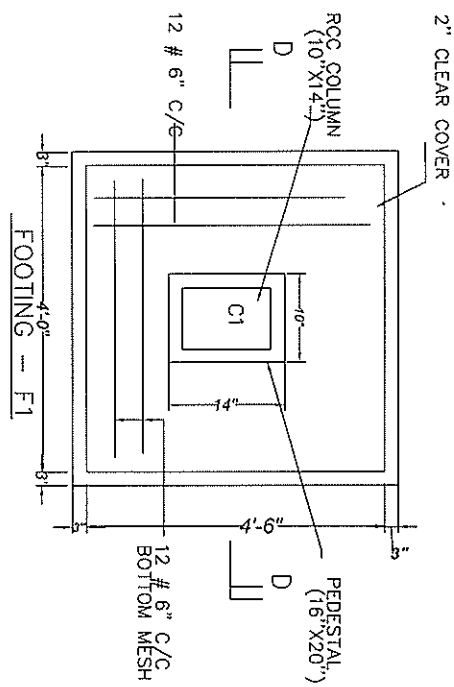
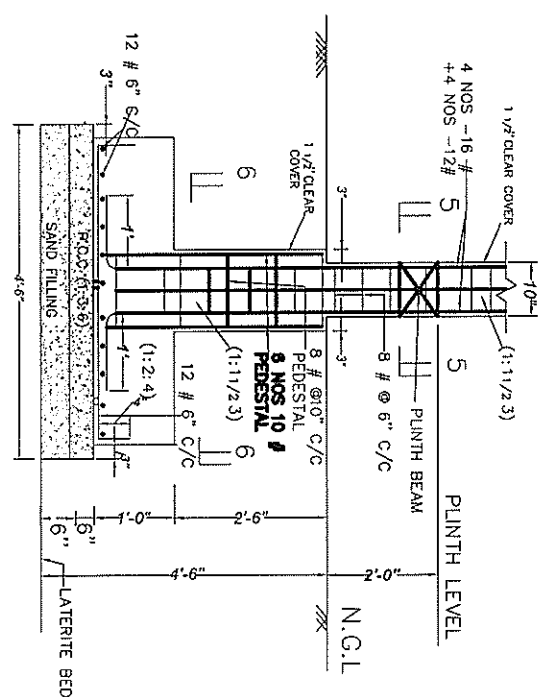
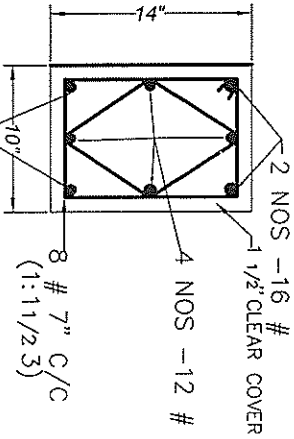
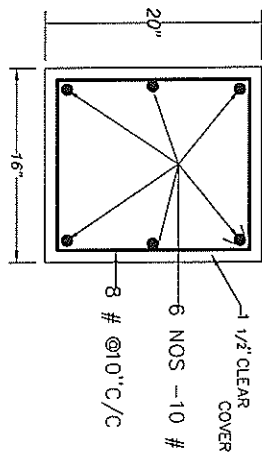
1 2 3 4 5 6 7 8

COLUMN SIZE

C1 = 10" x 14"
 C2 = 10" x 10"

FOOTING SIZE

F1 = 4'-6" x 6'-0"
 F2 = 4'-6" x 4'-6"



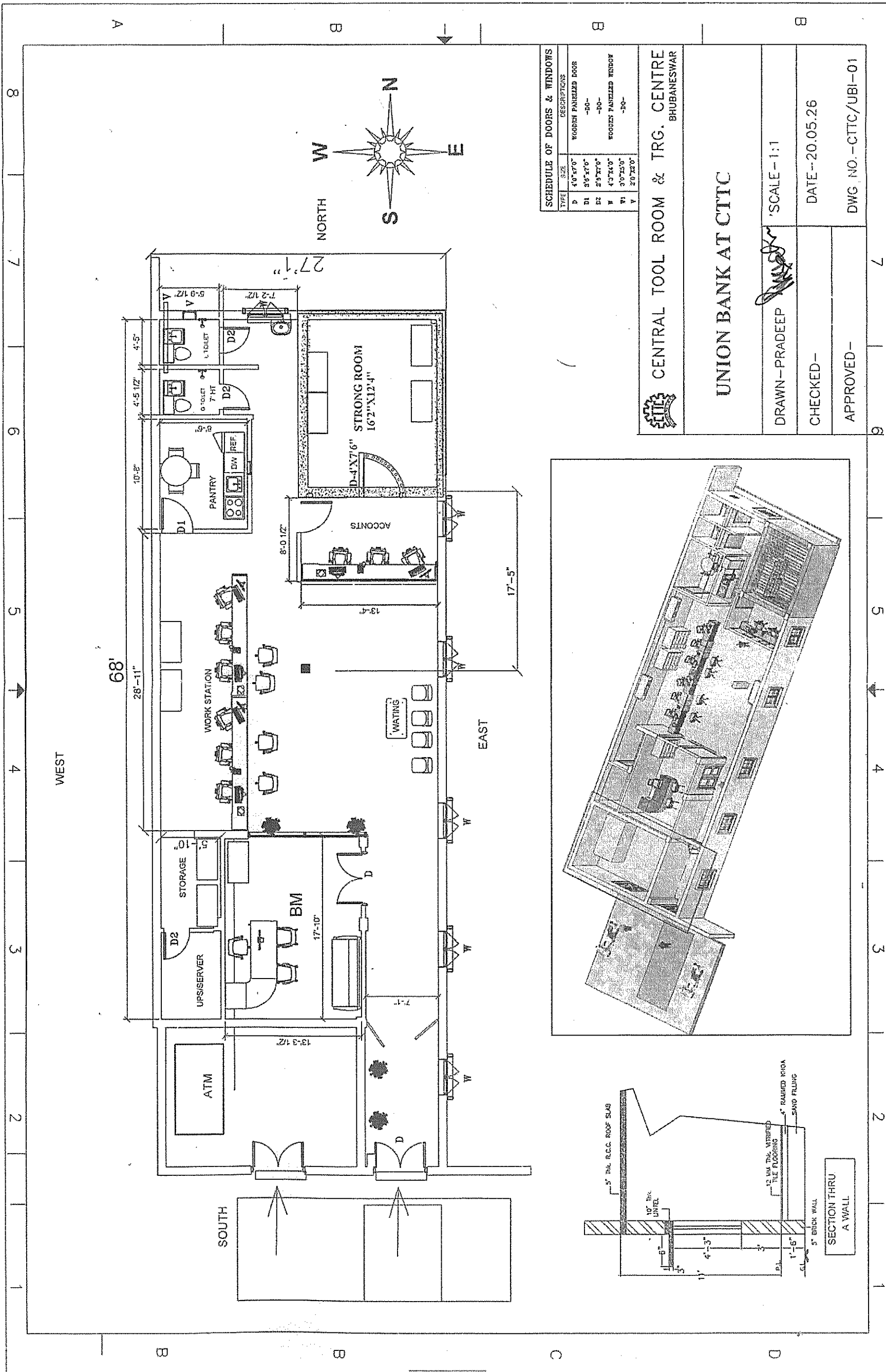
CTRC CENTRAL TOOL ROOM & TRG. CENTRE
 BHUBANESWAR

COLUMN DRG

DRAWN - PRADEEP
 CHECKED -
 APPROVED -

SCALE - 1:1
 DATE - 20.05.26
 DWG NO. - CTTC/UBI-01

9 7



SCHEDULE OF DOORS & WINDOWS

TYPE	SIZE	DESCRIPTIONS
D	4'0"X7'0"	WOODEN PANELLED DOOR
D1	3'0"X7'0"	-DO-
D2	2'0"X7'0"	-DO-
W	4'0"X4'0"	WOODEN PANELLED WINDOW
W1	3'0"X2'0"	-DO-
W2	2'0"X2'0"	-DO-

CENTRAL TOOL ROOM & TRG. CENTRE
BHUBANESWAR

UNION BANK AT CTC

DRAWN - PRADEEP
 CHECKED -
 APPROVED -
 SCALE - 1:1
 DATE - 20.05.26
 DWG NO. - CTC/UBI-01

